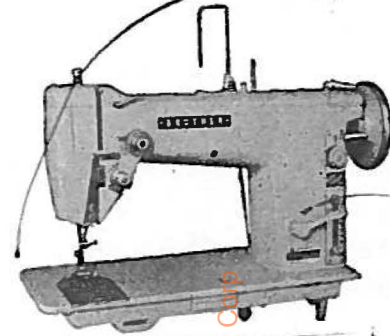


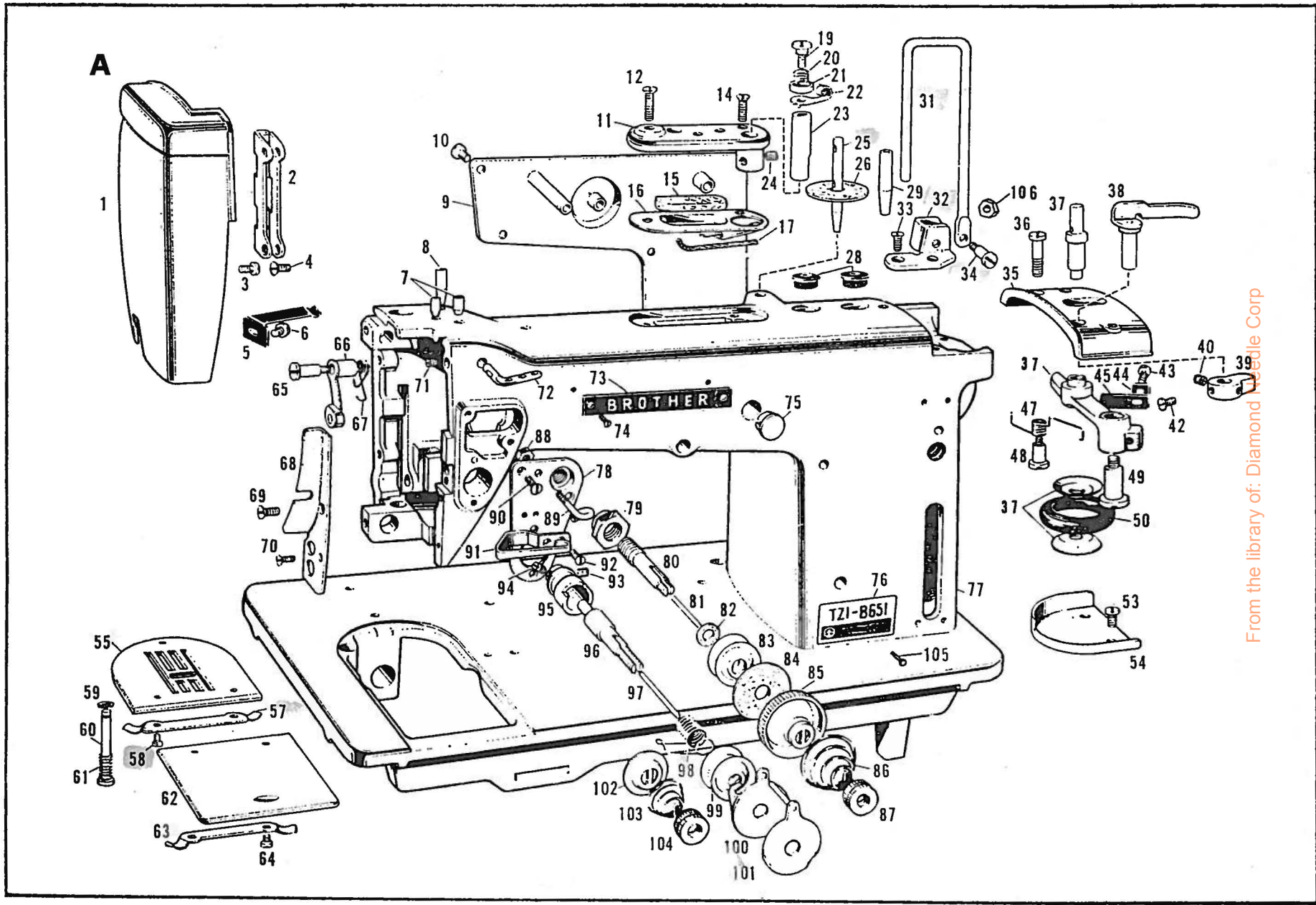
TZ1-B651



From the library of: Diamond Needle Corp

Please clarify Ref. No. and
Parts No. as well as parts name
When you place an order.

I 2001077

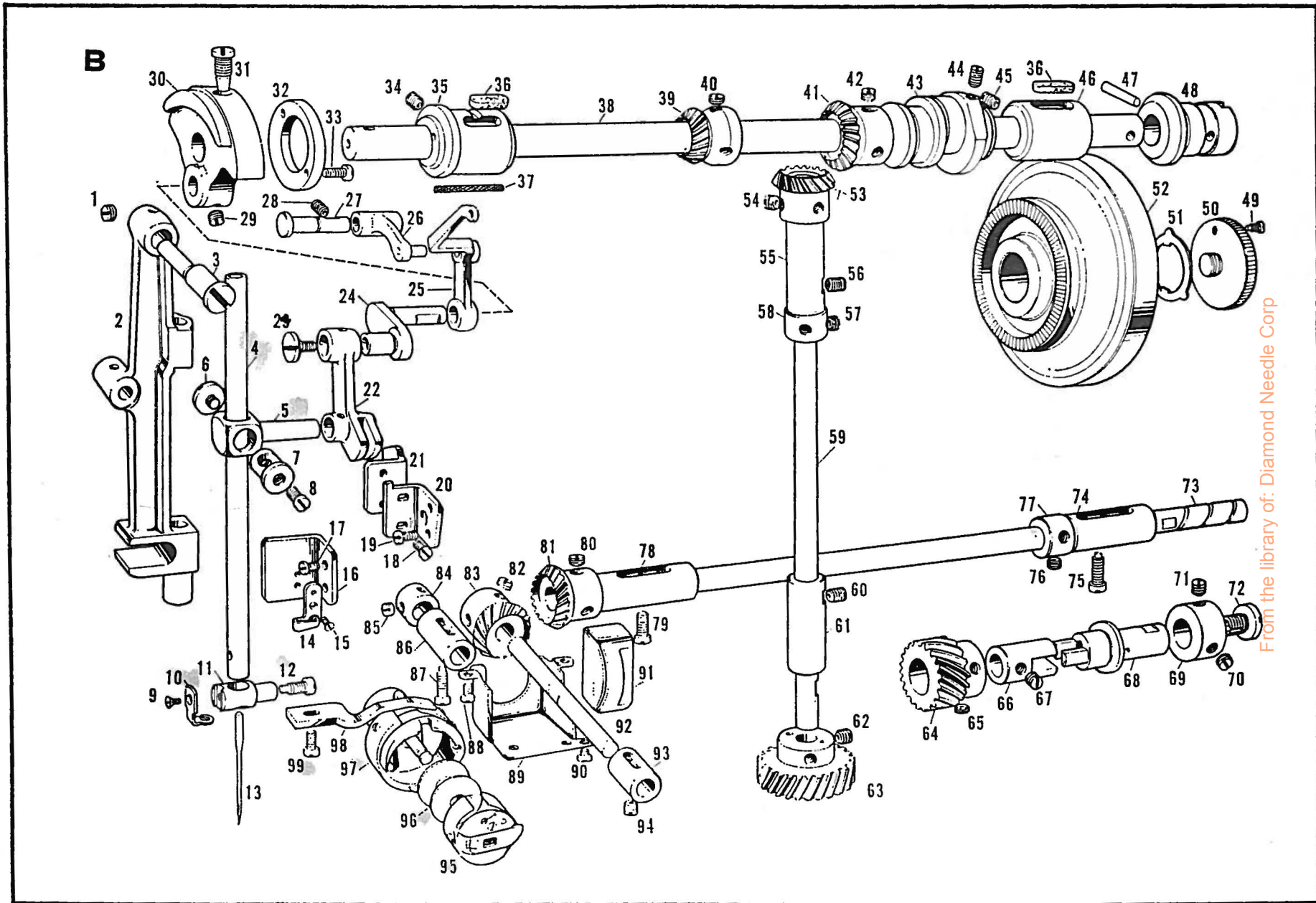


From the library of: Diamond Needle Corp

PARTS LIST FOR TZ1-B651

B651-A 3

Ref.No.	Name of Parts	Q'ty	Parts-No.	Assembly -No.	Ref.No.	Name of Parts	Q'ty	Parts-No	Assembly -No.
A- 1	Face Plate	1 pce.	111951-0-01		A-54	Bobbin Winder Lower Plate	1 pce.	142791-0-01	
A- 2	Face Plate Hinge Assembly	1 //	111952-0-01		A-55	Needle Plate (12mm)	1 pce.	180989-0-01	
A- 3	Set Screw for A-1	2 pcs.	100242-0-04		A-55	Needle Plate (5mm)	1 //	112802-0-01	
A- 4	Set Screw for A-2	2 //	108960-0-01		A-57	Needle Plate Spring	1 //	111989-0-01	
A- 5	Stop Spring for A-1	1 pce.	111956-0-01		A-58	Set Screw for A-57	1 //	100035-0-01	
A- 6	Set Screw for A-5	1 //	100242-0-04		A-59	Stop Ring for A-70	1 //	402650-0-02	
A- 7	Oil Pipe for B-22	2 pcs.	110486-0-00		A-60	Needle Plate Lifting Shaft	1 //	111990-0-01	
A- 8	Oil Pipe for B-27	1 pce.	111935-0-01		A-61	Spring for A-60	1 //	111991-0-01	
A- 9	Rear Cover	1 //	111957-0-01		A-62	Slide Plate	1 //	111992-0-01	
A-10	Set Screw for A-9	6 pcs.	100257-0-07		A-63	Slide Plate Spring	1 //	111989-0-01	
A-11	Spool Pin Base	1 pce.	111960-0-01		A-64	Set Screw for A-63	1 //	100035-0-01	
A-12	Set Screw for A-11	1 //	100137-0-04		A-65	Stud Screw for A-66	1 //	112127-0-01	
A-14	Set Screw for A-11	1 //	100137-0-04		A-66	Sub Tension Regulator	1 //	112126-0-01	
A-15	Felt for A-16	1 //	111966-0-01		A-67	Spring for A-66	1 //	112128-0-01	
A-16	Oil Receiver for Spool Stand	1 //	111961-0-01		A-68	Thread Guide Plate	1 //	112107-0-01	
A-17	Wick for A-16	1 //	111964-0-01		A-69	Set Screw for A-68	1 //	108960-0-03	
A-19	Stud Screw for A-23	1 //	121619-0-01		A-70	Set Screw for A-68	1 //	100191-0-03	
A-20	Spring for A-23	1 //	103933-0-01	117141-0-01	A-71	Set Screw for A-72	1 //	100388-0-04	
A-21	Disc for A-23	1 //	103932-0-01		A-72	Thread Retainer	1 //	114931-0-01	
A-22	Thread Guide Plate	1 //	111534-0-01		A-73	Name Plate "BROTHER"	2 pcs.	112528-0-01	
A-23	Thread Guide Shaft for Bobbin Winder	1 //	117142-0-01		A-74	Set Screw for A-73	1 pce.	102731-0-02	
A-24	Set Screw for A-23	2 pcs.	110218-0-03		A-75	Cap for D-26	1 //	103698-0-01	
A-25	Spool Pin Felt for A-25	1 pce.	100386-0-01		A-76	Model Plate	1 //	143755-0-01	
A-26	Felt for A-25	1 //	100119-0-03		A-77	Arm Bed	1 //	111932-0-01	
A-28	Oil Cap for B-41, C-70	2 pcs.	111937-0-01		A-78	Upper Thread Tension Plate	1 //	112108-0-01	
A-29	Oil Pipe for C-30	1 pce.	100235-0-01		A-79	Control Nut for Sub Tension stud	1 //	113914-0-01	
A-31	Spool Pin	1 //	100525-0-01		A-80	Tension stud (Sub)	1 //	112110-0-01	
A-32	Spool Pin Support	1 //	112105-0-01	112104-0-01	A-81	Tension Release Pin (Sub)	1 //	112116-0-01	
A-34	Stud Screw for A-31	1 //	112106-0-01		A-82	Felt for A-83 (Small)	2 pcs.	112111-0-01	
A-33	Set Screw for A-32	2 pcs.	102843-0-01		A-83	Tension Disc	1 pce.	108721-0-01	
A-35	Bobbin Winder Cover	1 pce.	111940-0-01		A-84	Felt for A-83 (Large)	1 //	112112-0-01	
A-36	Set Screw for A-35	1 //	104215-0-01		A-85	Tension Control Knob Assembly (Sub)	1 //	112113-0-01	
A-37	Bobbin Winder Arm	1 //	142084-0-01		A-86	Tension Spring (Sub)	1 //	112117-0-01	
A-38	Bobbin Holder	1 //	111948-0-01		A-87	Tension Control Nut (Sub)	1 //	100136-0-01	
A-39	Claw for Bobbin Winder	1 //	142566-0-01		A-88	Nut for A-89	1 //	500296-0-01	
A-40	Set Screw for A-39	2 pcs.	100218-0-01		A-89	Tension Thread Guide	3 pcs.	112124-0-01	
A-43	Set Screw for A-44	1 pce.	100080-0-01		A-90	Set Screw for A-78	1 pce.	102538-0-06	
A-44	Washer for A-45	1 //	111943-0-01		A-91	Arm Thread Guide	2 pcs.	112125-0-01	
A-45	Elastic Plate for A-46	1 //	111942-0-01		A-92	Set Screw for A-91	1 pce.	100191-0-03	
A-47	Spring for A-46	1 //	142780-0-01		A-93	Set Screw for A-95	1 //	100013-0-03	
A-48	Stud Screw for A-47	1 //	103317-0-01		A-94	Set Screw for A-96	1 //	100402-0-02	
A-49	Stud Screw for A-46	1 //	104212-0-02		A-95	Tension Bracket (Main)	1 //	112121-0-01	
A-50	Rubber Ring	1 //	120448-0-01		A-96	Tension Stud (Main)	1 //	112122-0-01	
A-53	Set Screw for A-54	2 pcs.	100242-0-04		A-97	Tension Release Pin (Main)	1 //	113915-0-00	

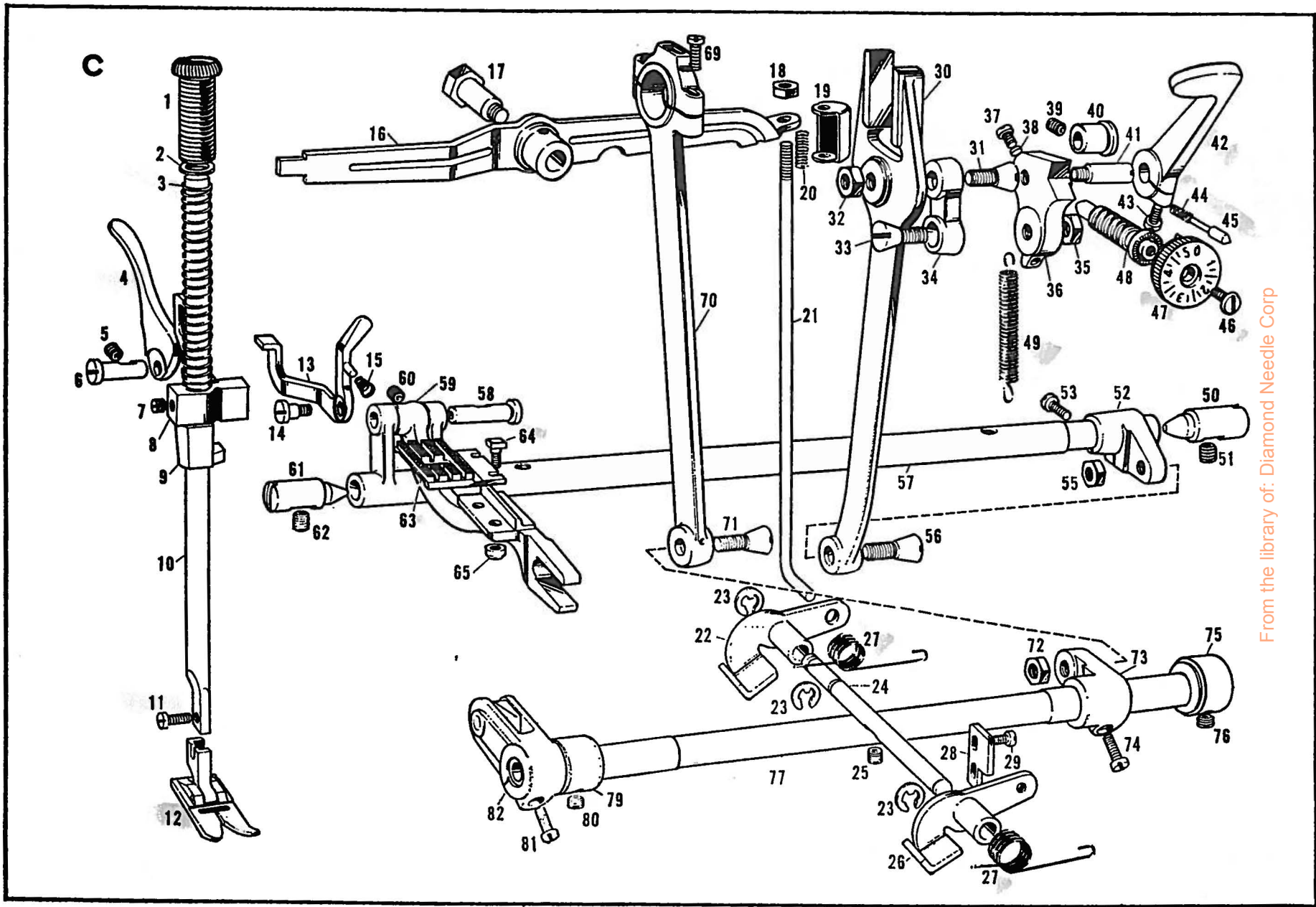


From the library of: Diamond Needle Corp

PARTS LIST FOR TZ1-B651

B651-B 7

Ref. No.	Name of Parts	Q'ty	Parts No.	Assembly No.	Ref. No.	Name of Parts	Q'ty	Parts No.	Assembly No.
B-1	Set Screw for B-3	1 pce.	100289-0-01		B-46	Upper Shaft Bearing Right	1 pce.	100490-0-00	
B-2	Needle Bar Support	1 //	111974-0-01		B-47	Taper Pin for B-48	1 //	120438-0-01	
B-3	Eccentric Shaft for B-2	1 //	112060-0-01		B-48	Arm Pulley Bushing	1 //	100039-0-00	
B-4	Needle Bar	1 //	113913-0-01		B-49	Stop Screw for B-50	1 //	100043-0-01	
B-5	Needle Bar Connecting Stud	1 //	111977-0-01		B-50	Stop Motion Knurled Hand Screw	1 //	100042-0-01	
B-6	Cap Screw for B-7	1 //	111543-0-00		B-51	Washer for Stop Motion	1 //	100041-0-00	
B-7	Needle Bar Clamp	1 //	111542-0-01	111976-0-01	B-52	Pulley	1 //	111993-0-01	
B-8	Clamp Screw for B-7	1 //	100366-0-03		B-53	Vertical Shaft Upper Gear	1 //	117797-0-01	
B-9	Set Screw for B-10	1 //	100360-0-01		B-54	Set Screw for B-53	2 pcs.	100251-0-01	
B-10	Needle Bar Thread Guide	1 //	113911-0-01		B-55	Vertical Shaft Upper Bushing	1 pce.	113916-0-00	
B-11	Needle Clamp	1 //	180988-0-01		B-56	Set Screw for B-55	1 //	100013-0-03	
B-12	Needle Clamp Screw	1 //	113912-0-01		B-57	Set Screw for B-58	2 pcs.	101706-0-01	
B-13	Needle DBx1	1 //	100265-0-14		B-58	Vertical Shaft Set Collar	1 pce.	100356-0-01	
B-14	Lower Thread Guide	1 //	112130-0-01		B-59	Vertical Shaft	1 //	112023-0-01	
B-15	Set Screw for B-14	1 //	100191-0-03		B-60	Set Screw for B-61	1 //	100013-0-03	
B-16	Guide Plate for B-2	1 //	111985-0-01		B-61	Vertical Shaft Lower Bushing	1 //	100346-0-00	
B-17	Set Screw for B-16	2 pcs.	100137-0-03		B-62	Set Screw for B-63	2 pcs.	100251-0-01	
B-18	Set Screw for B-21	2 //	100185-0-03		B-63	Vertical Shaft Driving Gear	1 pce.	180904-0-01	
B-19	Set Screw for B-20	2 //	100137-0-03		B-64	Lower Shaft Driving Gear	1 //	180905-0-01	
B-20	Support Plate for B-21	1 pce.	111980-0-01		B-65	Set Screw for B-64	2 pcs.	105299-0-02	
B-21	Guide Plate for B-22	1 //	111981-0-01		B-66	Lower Shaft Joint, Left	1 pce.	112030-0-01	
B-22	Needle Bar Crank Rod	1 //	111978-0-00		B-67	Set Screw for B-66	2 pcs.	101706-0-01	
B-23	Cap Screw for B-24	1 //	103001-0-01		B-68	Lower Shaft Joint, Right	1 pce.	112027-0-01	112025-0-01
B-24	Needle Bar Crank	1 //	113413-0-01		B-72	Cap Screw for B-68	1 //	113917-0-01	
B-25	Thread Take-up Lever	1 //	100271-0-01		B-73	Lower Shaft	1 //	112026-0-01	
B-26	Thread Take-up Supporter	1 //	100273-0-01	111979-0-01	B-69	Set Collar for D-6	1 //	112054-0-01	
B-27	Stud for Thread Take-up Supporter	1 //	104376-0-01		B-70	Set Screw for B-69	1 //	105299-0-03	
B-28	Set Screw for B-27	1 //	100062-0-04		B-71	Set Screw for B-69	1 //	101706-0-01	
B-29	Set Screw for B-30	2 pcs.	100251-0-01		B-74	Lower Shaft Bushing, Right	1 //	112032-0-01	
B-30	Thread Take-up Crank	1 pce.	111970-0-00		B-75	Set Screw for B-74	1 //	100088-0-02	
B-31	Take-up Crank Position Screw	1 //	104464-0-01		B-76	Set Screw for B-77	2 pcs.	101706-0-01	
B-32	Tension Release Control Cam	1 //	111971-0-01		B-77	Lower Shaft Set Collar	1 pce.	100356-0-01	
B-33	Set Screw for B-32	2 pcs.	111972-0-01		B-78	Lower Shaft Bushing, Left	1 //	112033-0-00	
B-34	Set Screw for B-35	1 pce.	100013-0-03		B-79	Set Screw for B-78	1 //	100539-0-02	
B-35	Upper Shaft Bearing Left	1 //	102407-0-00		B-80	Set Screw for B-81	2 pcs.	100251-0-01	
B-36	Felt for F-35	1 //	100248-0-01		B-81	Lower Shaft Gear	1 pce.	180906-0-01	
B-37	Wick 6x6 (30)	1 //	108805-0-01		B-82	Set Screw for B-83	3 pcs.	100251-0-01	
B-38	Upper Shaft	1 //	111967-0-01		B-83	Hook Driving Shaft Gear	1 pce.	180902-0-01	
B-39	Zigzag Gear for Upper Shaft	1 //	112049-0-01		B-84	Hook Driving Shaft Collar	1 //	100356-0-01	
B-40	Set Screw for B-39	2 pcs.	100251-0-01		B-85	Set Screw for B-84	2 pcs.	101706-0-01	
B-41	Upper Shaft Gear	1 pce.	140009-0-01		B-86	Hook Driving Shaft Bushing (rear)	1 pce.	112039-0-00	
B-42	Set Screw for B-41	2 pcs.	100251-0-01		B-87	Set Screw for B-86	1 //	100088-0-02	
B-43	Feed Cam	1 pce.	100503-0-00		B-88	Set Screw for B-89	3 pcs.	100242-0-04	
B-44	Set Screw for B-43	2 pcs.	100062-0-04		B-89	Hook Shaft Gear Cover	1 pce.	112037-0-01	
B-45	Set Screw for B-46	1 pce.	100013-0-03		B-90	Set Screw for B-91	2 pcs.	101275-0-03	

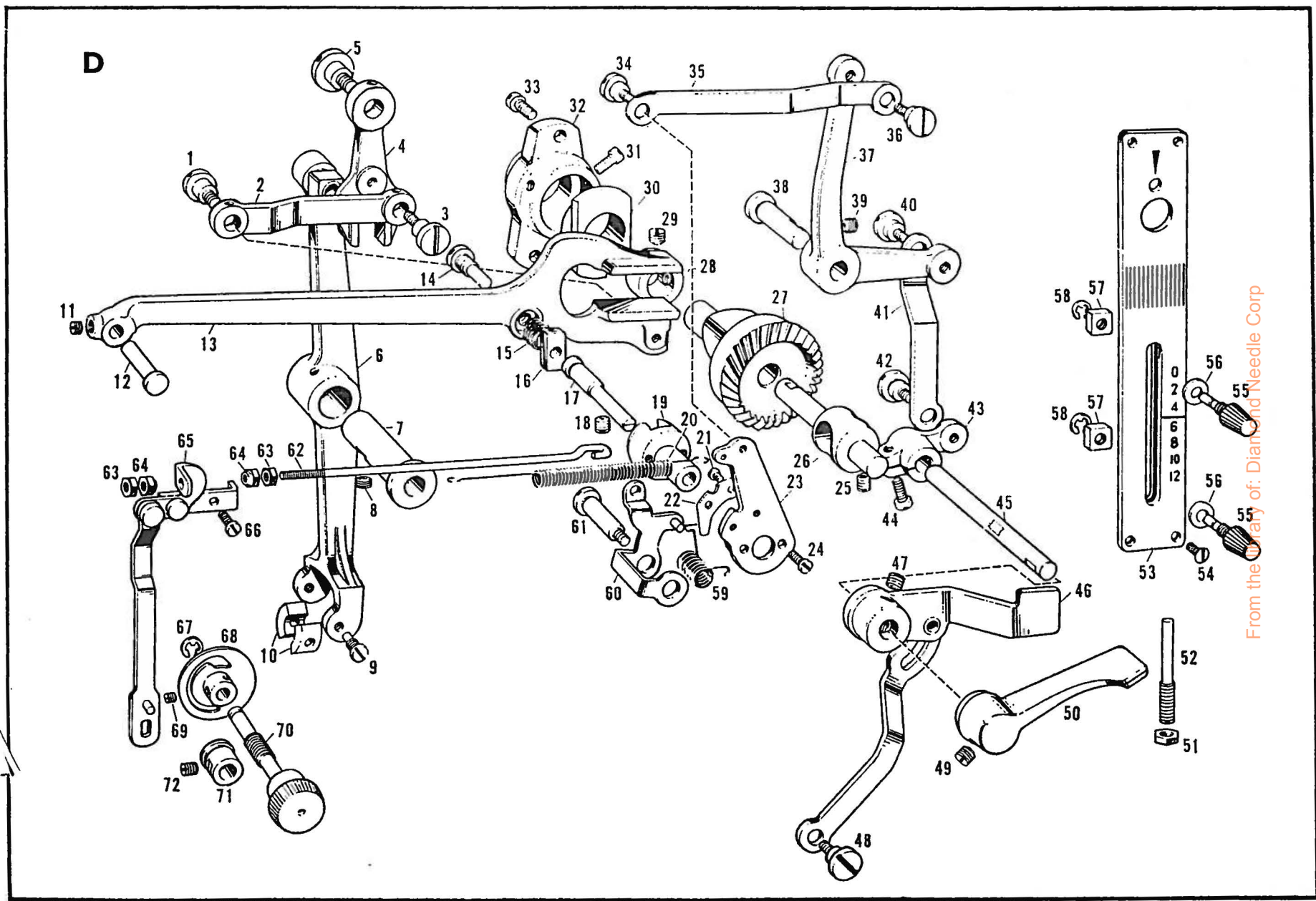


From the library of: Diamond Needle Corp

PARTS LIST FOR TZ1-B651

B651-C11

Ref. No.	Name of Parts	Q'ty	Parts No.	Assembly No.	Ref. No.	Name of Parts	Q'ty	Parts No.	Assembly No.
C-1	Presser Adjusting Screw	1 pce.	100496-0-01		C-44	Notch Spring for C-45	1 pce.	113956-0-01	
C-2	Presser Spring Washer	1 //	141099-0-01		C-45	Notch for C-47	1 //	100327-0-01	
C-3	Presser Spring	1 //	106794-0-01		C-46	Set Screw for C-47	1 //	100326-0-02	
C-4	Presser Bar Lifter	1 //	100291-0-01		C-47	Length Control	1 //	113353-0-01	
C-5	Set Screw for C-6	1 //	100289-0-01		C-48	Length Control Screw	1 //	100512-0-01	
C-6	Presser Bar Lifter Shaft	1 //	109801-0-01		C-49	Feed Regulator Tension Spring	1 //	112010-0-01	
C-7	Set Screw for C-8	1 //	100289-0-03		C-50	Taper Center Right for C-57	1 //	104848-0-01	
C-8	Presser Bar Bracket	1 //	111997-0-01		C-51	Set Screw for C-50	1 //	100013-0-03	
C-9	Presser Bar Lifter Bracket Assembly	1 Set.	111998-0-01		C-52	Feed Rock Shaft Arm	1 //	100329-0-03	
C-10	Presser Bar	1 pce.	103013-0-01		C-53	Set Screw for C-52	1 //	100086-0-03	
C-11	Set Screw for C-12	1 //	100287-0-04		C-55	Nut for C-56	1 //	104689-0-01	
C-12	Presser Foot Complete (12mm)	1 Set.	111994-0-01		C-56	Taper Screw for C-30	1 //	100310-0-01	
//	Presser Foot Complete (5mm)	1 //	112800-0-01		C-57	Feed Rock Shaft	1 //	112011-0-01	
C-13	Tension Release	1 pce.	112129-0-00		C-58	Feed Bar Shaft	1 //	112013-0-01	
C-14	Stud Screw for C-13	1 //	104648-0-01		C-59	Feed Bar	1 //	112012-0-01	
C-15	Spring for C-13	1 //	100405-0-01		C-60	Set Screw for C-59	1 //	100218-0-03	
C-16	Knee Lifter	1 //	112002-0-01		C-61	Taper Center Left for C-57	1 //	104847-0-01	
C-17	Stud Screw for C-16	1 //	102921-0-01		C-62	Set Screw for C-61	1 //	100013-0-03	
C-18	Nut for C-21	1 //	110161-0-03		C-63	Feed Dog (12mm)	1 //	112014-0-01	
C-19	Supporter for C-21	1 //	106430-0-01		//	Feed Dog (5mm)	1 //	112796-0-01	
C-20	Spring for C-21	1 //	106429-0-01		C-64	Square Screw for C-63	2 pcs.	112015-0-01	
C-21	Knee Lifter Connecting Rod	1 //	112003-0-01		C-65	Nut for C-64	2 //	112016-0-01	
C-22	Knee Lifter Crank Lower	1 //	112004-0-01		C-69	Set Screw for C-70	2 //	107428-0-01	
C-23	Stop Ring for C-22, C-26	3 pcs.	111537-0-01		C-70	Crank Rod	1 pce.	100514-0-01	
C-24	Knee Lifter Crank Shaft	1 pce.	112006-0-01		C-71	Taper Screw for C-70	1 //	100310-0-01	
C-25	Set Screw for C-24	1 //	100013-0-03		C-72	Nut for C-70	1 //	104689-0-01	
C-26	Zigzag Crank Lower	1 //	112005-0-01		C-73	Feed Lifting Rock Shaft Arm	1 //	112018-0-01	
C-27	Spring for C-22, C-26	2 pcs.	112007-0-01		C-74	Set Screw for C-74	1 //	100086-0-03	
C-28	Stopper for C-26	1 pce.	113919-0-01		C-75	Set Collar Right for C-77	1 //	112019-0-01	
C-29	Set Screw for C-28	2 pcs.	100185-0-03		C-76	Set Screw for C-75	1 //	101706-0-01	
C-30	Feed Forked Connector	1 pce.	112008-0-01		C-77	Feed Lifting Rock Shaft	1 //	112017-0-01	
C-31	Taper Screw for C-34	1 //	100310-0-01		C-79	Set Collar for C-77	1 //	112022-0-01	
C-32	Nut for C-31	1 //	104689-0-01		C-80	Set Screw for C-79	1 //	101706-0-01	
C-33	Taper Screw for C-36	1 //	100310-0-01		C-81	Set Screw for C-82	1 //	100086-0-03	
C-34	Feed Regulator Link	1 //	100505-0-00		C-82	Feed Lifting Arm Assembly	1 Set.	112020-0-01	
C-35	Nut for C-33	1 //	104689-0-01						
C-36	Feed Regulator	1 //	112009-0-01						
C-37	Set Screw for C-41	1 //	100368-0-02						
C-38	Pusher for C-37	1 //	100507-0-00						
C-39	Set Screw for C-40	1 //	100013-0-03						
C-40	Eccentric Bushing for C-41	1 //	113918-0-00						
C-41	Feed Regulator Shaft	1 //	114897-0-01						
C-42	Direction Control	1 //	109803-0-01						
C-43	Set Screw for C-42	1 //	100154-0-03						



From the library of: Diamond Needle Corp

PARTS LIST FOR TZ1-B651

B651-D13

Ref. No.	Name of Parts	Q'ty	Parts No.	Assembly No.	Ref. No.	Name of Parts	Q'ty	Parts No.	Assembly No.
D-1	Stud Screw for D-2	1 pce.	112047-0-01		D-46	Zigzag Control Lever Arm	1 pce.	112086-0-01	
D-2	Hook Shaft Timing Link	1 //	112046-0-01		D-47	Set Screw for D-46	2 pcs.	100251-0-01	
D-3	Stud Screw for D-2	1 //	112047-0-01		D-48	Stud Screw for C-26	1 pce.	112072-0-01	
D-4	Hook Shaft Timinng Forked Rod	1 //	112048-0-01		D-49	Set Screw for D-50	1 //	100289-0-01	
D-5	Stud Screw for D-4	1 //	113941-0-01		D-50	Zigzag Width Control Lever	1 //	112078-0-01	
D-6	Hook Shaft Timing Lever	1 //	112050-0-01		D-51	Nut for D-52	1 //	021760-3-03	
D-7	Stud for D-6	1 //	112055-0-01		D-52	Stopper Screw for D-46	1 //	113920-0-01	
D-8	Set Screw for D-7	1 //	100013-0-03		D-53	Zigzag Control Panel	1 //	112080-0-01	
D-9	Stud for D-10	2 pcs.	112053-0-01		D-54	Set Screw for D-53	4 pcs.	102538-0-07	
D-10	Slide Block for D-6	2 //	112052-0-00		D-55	Stopper Screw for D-50	2 //	112083-0-01	
D-11	Set Screw for D-13	1 pce.	101706-0-01		D-56	Washer for D-55	2 //	112085-0-00	
D-12	Stud for D-13	1 //	112059-0-01		D-57	Square Nut for D-55	2 //	112084-0-01	
D-13	Zigzag Forked Connector	1 //	112059-0-01		D-58	Stop Ring for D-55	2 //	402650-0-02	
D-14	Slide Block Stud	1 //	112067-0-01		D-59	Spring for D-60	1 pce.	112093-0-01	
D-15	Slide Block Spring	1 //	113943-0-01		D-60	Fixed Lever for B-2	1 //	112091-0-01	
D-16	Slide Block	1 //	112066-0-01		D-61	Stud Screw for D-60	1 //	112092-0-01	
D-17	Eccentric Shaft for D-19	1 //	113350-0-00		D-62	Connecting Link for B-2	1 //	112094-0-01	
D-18	Set Screw for D-17	1 //	100013-0-02		D-63	Nut for D-62	2 pcs.	021660-1-03	
D-19	Zigzag Regulator	1 //	112065-0-01		D-64	Fixed Nut for D-62	2 //	112095-0-01	
D-20	Spring for D-23	1 //	112070-0-01		D-65	Fixed Link for B-2	1 pce.	112096-0-01	
D-21	Set Screw for D-22	2 pcs.	100242-0-04		D-66	Set Screw for D-65	1 //	112751-0-01	
D-22	Fixed Cam for B-2	1 pce.	112090-0-01		D-67	Stop Ring for D-70	1 //	402650-0-02	
D-23	Lever for D-19	1 //	112069-0-01		D-68	Fixed Cam	1 //	112101-0-01	
D-24	Set Screw for D-23	2 pcs.	100185-0-03		D-69	Set Screw for D-68	2 pcs.	102716-0-04	
D-25	Set Screw for D-26	1 pce.	100013-0-03		D-70	Fixed Knob for B-2	1 pce.	112102-0-01	
D-26	Zigzag Cam Shaft	1 //	112058-0-01		D-71	Bushing for D-70	1 //	112103-0-01	
D-27	Zigzag Cam Shaft Gear	1 //	112057-0-01		D-72	Set Screw for D-71	1 //	100289-0-01	
D-28	Set Collar for D-26	1 //	112061-0-01						
D-29	Set Screw for D-28	2 pcs.	100218-0-01						
D-30	Guide Plate for D-13	1 pce.	112062-0-00						
D-31	Set Screw for D-30	2 pcs.	105904-0-01						
D-32	Zigzag Cam Shaft Receiver	1 pce.	112063-0-01						
D-33	Set Screw for D-32	2 pcs.	100368-0-02						
D-34	Stud Screw for D-35	1 pce.	112072-0-01						
D-35	Zigzag Connecting Link (A)	1 //	112071-0-01						
D-36	Stud Screw for D-37	1 //	112072-0-01						
D-37	Zigzag Control Lever	1 //	112073-0-01						
D-38	Stud for D-37	1 //	112074-0-01						
D-39	Set Screw for D-38	1 //	100289-0-03						
D-40	Stud Screw for D-37	1 //	112072-0-01						
D-41	Zigzag Connecting Link (B)	1 //	112075-0-01						
D-42	Stud Screw for D-43	1 //	112072-0-01						
D-43	Zigzag Control Arm	1 //	112076-0-01						
D-44	Set Screw for D-43	1 //	106127-0-02						
D-45	Zigzag Control Shaft	1 //	112077-0-01						